



FasNSeal® APPLIANCE ADAPTER CATALOG

AL 29-4C® Stainless Steel Special Gas Vent

CONTENTS:

| | |
|--------------------------------|-------------|
| Appliance Adapter Chart | Page 1-3 |
| Miscellaneous Adapter Chart | 3 |
| Technical and Dimensional Data | 4-14 |

FasNSeal® APPLIANCE ADAPTER CHART

| Manufacturer | Model | Appliance Adapter | | Termination Adapter | |
|---------------------|-----------------------------|---------------------------------|------|------------------------|------|
| | | Part Number | Page | Part Number | Page |
| Aerco International | Benchmark | FSA-AE8 | 5 | | |
| | | FSA-AE6 | 5 | | |
| Ajax | Atlas | TBA | - | | |
| A.O. Smith | Burkay Genesis Series | FSA-HFA4, 5, 6 ^a | 7 | | |
| | Legend 2000 Series | FSA-HFA6, 7 ^a | 7 | | |
| | ProStar | FSAAU4 | 4 | | |
| Beacon/Morris | BRU | FSAAU4 | 4 | | |
| | BTU | FSAAU4, 5, 6 | 4 | | |
| Bosch | Aquastar 125 FX | FSA-LMGD4 ^a | 8 | | |
| | Aquastar GHW-635-ES | Standard Vent Pipe | - | | |
| | Aquastar 250SX | Standard Vent Pipe | - | | |
| | Aquastar 240FX | FSAAU4 | 4 | | |
| Buderus | G115 Series | FSAAU4 or FSAAU5 | 4 | | |
| | G124X Series | FSAAU5,6 | 4 | | |
| | GA124 Series | FSAAU3 | 4 | | |
| | GA244/37, 44, 53 | FSAAU3 | 4 | | |
| | GA244/62 | FSAAU4 | 4 | | |
| | GB142 Series | FSAAU3 | 4 | | |
| | SB615 Series | FSA-SB7, 8, 10, 12 | 12 | | |
| | SB735 Series | FSA-SB14 | 12 | | |
| Burnham | Independence PV | FSAVL3 ^b | 13 | FSA-PV3 | 11 |
| | Minute Man II | FSAVL3 ^b | 13 | FSA-PV3 | 11 |
| | Revolution | FSAVL3 ^b | 13 | FSA-PV3 | 11 |
| | Revolution II | FSAVL3 ^b | 13 | FSA-PV3 | 11 |
| | Series 2PV | FSAVL3 ^b | 13 | FSA-PV3 | 11 |
| | Spirit | FSAVL3 ^b | 13 | FSA-PV3 | 11 |
| Camus Boiler | MicoFlame Series I | FSAAU3, 4, 5, 6 | 4 | | |
| | MicoFlame Series II | FSAAU8, 10, 12 | 4 | | |
| | MicoFlame Grande | FSAAU12, 14 | 4 | | |
| | DynaFlame | FSAAU6, 8, 10, 12, 14 | 4 | | |
| Cleaver Brooks | MCF Series | FSA-MCF6, 10, 12 | 9 | | |
| Columbia | Patriot Series-Direct Vent | FSA-UTC4 | 13 | | |
| Crown Boiler Co. | Bali BWF-061, 095, 128, 162 | Standard Vent Pipe ^a | - | FSA-M3 ^a | 9 |
| | Bali BWF-195, 229 | Standard Vent Pipe ^a | - | | |
| | Bimini BWC150, 225 | Standard Vent Pipe ^a | - | | |
| | Cabo CSC-050 thru 150 | Standard Vent Pipe ^a | - | FSA-M3 ^a | 9 |
| | Cabo CSC-175, 200 | Standard Vent Pipe ^a | - | FSA-M3, 4 ^a | |
| Dunkirk | XEB-2 thru XEB-5 | FSAMETEK3 | 9 | FSA-M3 ^a | 9 |
| | XEB-6 thru XEB-7 | FSAMETEK3 | 9 | Standard Vent Pipe | - |
| Fulton | PulsePak Series | FSA-F4, 6 ^c | 6 | | |
| | Vantage VTG3000 | TBA | - | | |

^a Silicone is required

^b Can also be vented with FSA-HFB3 (see page 7)

^c Additional Muffler adapters required (see page 3)

Note: All information contained herein is subject to change without notice.

| Manufacturer | Model | Appliance Adapter | | Termination Adapter | |
|------------------|-----------------------------------|--|------|------------------------|------|
| | | Part Number | Page | Part Number | Page |
| GasMaster | GMI Series | Call for customer service 1.800.766.3473 | | | |
| Hydrotherm | HI Series | FSAAU4 | 4 | Standard Vent Pipe | - |
| | ID Series | FSAAU4 | 4 | Standard Vent Pipe | - |
| | IHS Series | FSAAU4 | 4 | | |
| | KN-10 600, 1000, 2000 | FSA-HFA4, 6, 8 ^a | 7 | | |
| | KN-20 | FSA-HFA9 ^a | 7 | | |
| | Sabre FX Series | FSA-ELB3, 4 | 6 | | |
| Laars | Endurance EBP | FSA-B3 ^a | 6 | | |
| | Endurance EDP | FSA-B3 ^a | 6 | | |
| | Mighty Stack | TBA | - | | |
| | Mini Combo id | FSAAU4 | 4 | | |
| | Mini Therm JVi | FSA-LMGD4 ^a | 8 | | |
| | Pennant | TBA | - | | |
| | Rheos 1200 thru 2400 | FSAA6, 7, 10 ^a | 5 | | |
| | Rheos Plus 1200 thru 2400 | FSAA6, 7, 10 ^a | 5 | | |
| | Summit 200, 250 | TBA | - | | |
| Lennox | CMWB 2, 3, 4, 5, 6, 7 | Standard Vent Pipe ^a | - | | |
| | CXE 2, 3, 4, 5, 6, 7 | Standard Vent Pipe ^a | - | | |
| Lochinvar | Copper Fin CBN | FSAAU6, 8, 10, 12, 14 | 4 | | |
| | Copper Fin II CHN | FSAAU6, 8, 10, 12, 14 | 4 | | |
| | Efficiency+ EBN 100 | FSA-PSC/DE3 ^a | 11 | | |
| | Efficiency+ EBN 150, 200 | FSAAU4 | 4 | | |
| | Efficiency+ EBN 250, 300 | FSAAU5 | 4 | | |
| | Intelli-Fin IBN 1500 thru 2000 | FSAAU6, 7, 8 | 4 | | |
| | Power-Fin PBN 501 thru 2000 | FSAAU7, 8, 9, 10, 12 | 4 | | |
| | Power-Fin PFN 501 thru 2000 | FSAAU7, 8, 9, 10, 12 | 4 | | |
| Modine | Model HDS30, 45, 60, 75 | FSAAU3, 4 | 4 | FSA-M3, 4 ^a | 9 |
| | BDP | Standard Vent Pipe ^{a,d} | - | FSA-M3 ^a | 9 |
| | PDP | Standard Vent Pipe ^{a,d} | - | FSA-M3 ^a | 9 |
| New Yorker | PVCG Series | FSAVL3 ^b | 13 | FSA-NYV3 ^a | 10 |
| Nordyne | FG6RA | FSAAU3, 4, 5 | 4 | | |
| | FG6RC | FSA-PVC3 ^a | 11 | | |
| Nortec | GS Series 100 thru 600 | FSAAU3, 4, 5, 6 | 4 | | |
| | GH Series 100 thru 400 | FSAAU3, 4 | 4 | | |
| Noritz | N063S | FSAAU4 | 4 | | |
| | N069M | FSAAU4 | 4 | | |
| | N069M-DV | FSAAU4 | 4 | FSA-NSC4 | 9 |
| | N084M | FSAAU4 | 4 | | |
| | N084M-DV | FSAAU4 | 4 | FSA-NSC4 | 9 |
| | N132M | FSAAU5 | 4 | | |
| Patterson Kelley | P-K Thermific Series | FSAAU10, 12 | 4 | | |
| | P-K Modu-Fire Series | FSAAU10, 12 | 4 | | |
| | P-K MACH C-300, 450, 900, 1500 | FSA-PK4, 5, 8 | 10 | | |
| | P-K MACH C-750 | FSA-PKT6 | 10 | | |
| Paloma | PH 28RIFS | FSAAU4 | 4 | | |
| | PH28CIFSN/P | FSAAU4 | 4 | | |
| | PH28COFSN/P | FSAAU4 | 4 | | |
| Peerless | Series DE | FSA-PSC/DE3 ^a | 11 | | |
| | Series PDE | FSA-PDE3 ^a | 10 | | |
| | Series PSC | FSA-PSC/DE3 ^a | 11 | | |
| Pennco | FSB Series | FSAMETEK3 | 9 | | |
| Pentair | MiniMax NT | TBA | - | | |
| PVI | Power VT Series | FSA-HFA4 ^a | 7 | | |
| Quietside | QVM8 Series | FSAAU3 | 4 | FSA-PV3 | 11 |
| Raypak | Advanced Design Boiler ADB-500 | FSAAU6 | 4 | | |

^a Silicone is required

^b Can also be vented with FSA-HFB3 (see page 7)

^d Can use FSAAU in place of Standard Vent Pipe with silicone (see page 4)

| Manufacturer | Model | Appliance Adapter | | Termination Adapter | |
|----------------------|-----------------------------|-----------------------------------|-------------|----------------------------|-------------|
| | | Part Number | Page | Part Number | Page |
| Raypak | Advanced Design | FSAAU8, 10, 12 | 5 | | |
| | Boiler ADB-750 thru 1501 | FSAAU4, 5, 6, 8, 12, 14, 16 | 5 | | |
| RBI | Futera II Series | FSAAU6, 8, 9, 10, 12, 14 | 5 | | |
| | Futera III Series | FSAAU5, 6, 7, 8, 10 | 5 | | |
| | Dominator Series | FSAAU6, 7, 8, 10, 12, 14 | 5 | | |
| | LCD Dominator Series | FSAAU6, 7, 8, 10, 12, 14 | 5 | | |
| Rheem/Ruud | RTG-42PVN (Pronto 4.2) | FSA-RI3 ^a | - | | |
| | RTG-74 (Pronto 7.4) | FSAAU4 | 5 | | |
| Slantfin | Caravan Series | FSA-HFA3 ^a | 7 | FSA-NYV3 ^a | 10 |
| | Concept 21 Series | FSA-HFA3 ^a | 7 | | |
| | Prodigy 21 | FSA-HFA3 ^a | 7 | | |
| | Victory VSPH Series | FSA-HFA3 ^a | 7 | | |
| | Victory II Series | FSA-HFA3 ^a | 7 | | |
| Smith | GV100 Series | FSA-SMITH4 | 12 | | |
| | Lexington GS110 Series | FSA-ELB3, 4 | 6 | | |
| State Water Heater | Aurora GAX194 | FSAAU4 | 5 | | |
| Takagi | T-H1 | FSAAU4 | 5 | | |
| | T-K2 | FSAAU4 | 5 | | |
| | T-K1 | FSAAU4 | 5 | | |
| | T-K1S | FSAAU4 | 5 | | |
| | TK Junior | FSAAU4 | 5 | | |
| | T-KD20 | FSAAU4 | 5 | | |
| | T-M1 | FSAAU4 | 5 | | |
| Thermo-Dynamics | LMGD Series | FSA-LMGD4 ^a | 8 | FSA-LMGDTERM4 ^a | 8 |
| | CWL-GS Series | TBA | - | | |
| Thermal Solutions | Evolution Series | FSA-HFA3, 4, 6 ^a | 7 | | |
| | Summit | FSA-TS6 | 12 | | |
| Triangle Tube | Delta Performance | FSA-TR3 | 12 | | |
| | Delta Performance Plus | FSA-TR3 | 12 | | |
| Utica | USC Series | Standard Vent Pipe ^{a d} | - | | |
| | DV-B Series | Standard Vent Pipe ^{a d} | - | | |
| Vapac | GF Series | FSA-GF3 | 7 | | |
| Viessmann | Vitocrossal CT-3 37, 46, 57 | FSAAU10 | 5 | FSA-M3 ^a | 9 |
| | Vitogas 50 ECV Series | Standard Vent Pipe ^a | - | | |
| | Vitogas 100 GS10 Series | FSAAU8, 9, 10 | 5 | | |
| | Vertomat VSB-37, 46, 57 | TBA | - | | |
| | Vitodens WB2 Series | FSA-V3, 4 | 13 | | |
| Wai Wela | PH-28RIFSN/P | FSAAU4 | 5 | | |
| Weben Jarco | Vision 3000 | FSA-HFA6, 8, 10 ^a | 7 | | |
| | E-Finity | TBA | - | | |
| Weil McLain | GV ST | FSA-WEIL-GV3 | 14 | | |
| | CGi Series | FSA-WEIL-CGI3 | 14 | | |
| | CGs Series | FSA-WEIL-CGI3 | 14 | | |
| | CGt Series | FSA-WEIL-CGI3 | 14 | | |
| | GV GOLD Series 3 | FSA-WEIL-GVTEE3 | 14 | | |
| | GV GOLD Series 4 | FSA-WEIL-GVTEE3 | 14 | | |
| | Ultra Series | FSA-ULT3, 4 | 13 | | |
| Williamson Thermoflo | GWl Series | FSA-WEIL-CGI3 | 14 | | |

MISCELLANEOUS ADAPTER CHART

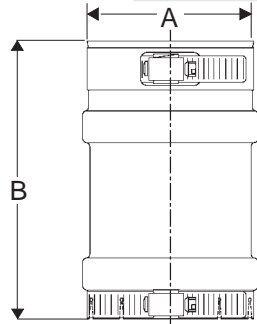
| Manufacturer | Product | | Manufacturer | Product | Part Number | Page |
|---------------------|----------------|----|---------------------|----------------|--------------------|-------------|
| Fulton | Muffler | To | ProTech Systems | FasNSeal® | FSAAU4, 6 | 4 |
| ProTech Systems | FasNSeal® | To | Fulton | Muffler | FSAAM4, 6 | 5 |
| Jeremias | Muffler | To | ProTech Systems | FasNSeal® | FSA-JMO7 | 8 |
| ProTech Systems | FasNSeal® | To | Jeremias | Muffler | FSA-JMI7 | 8 |

^a Silicone is required

^d Can use FSAAU in place of Standard Vent Pipe with silicone (see page 4)

FSAAU

| A Vent Dia. | B | C | Product Number | Part Number |
|----------------|-----|---|-------------------|----------------|
| 3 | 5.6 | | 300824 | FSAAU3 |
| 4 | 5.6 | | 300825 | FSAAU4 |
| 5 | 5.6 | | 300826 | FSAAU5 |
| 6 | 5.6 | | 300827 | FSAAU6 |
| 7 | 5.6 | | 300828 | FSAAU7 |
| 8 | 5.6 | | 300829 | FSAAU8 |
| 9 | 5.6 | | 300830 | FSAAU9 |
| 10 | 5.6 | | 300831 | FSAAU10 |
| 12 | 5.6 | | 300832 | FSAAU12 |
| 14 | 5.6 | | 300833 | FSAAU14 |
| 16 | 5.6 | | 300834 | FSAAU16 |



| Manufacturer | Model | Part Number |
|------------------|--------------------------------|-------------|
| Hydrotherm | HI, ID, IHS, Series | FSAAU4 |
| Laars | Mini Combo id 50, 75, 100, 125 | FSAAU4 |
| | Mighty Therm 500 | FSAAU10 |
| | Mighty Therm 600, 715 | FSAAU12 |
| | Mighty Therm 850 | FSAAU14 |
| | Mighty Therm 1010, 1200 | FSAAU16 |
| | Lochinvar | CBN 0495 |
| CBN 0645, 0745 | | FSAAU8 |
| CBN 0986 | | FSAAU10 |
| CBN 1256, 1436 | | FSAAU12 |
| CBN 1796, 2066 | | FSAAU14 |
| CHN 401, 501 | | FSAAU6 |
| CHN 651, 751 | | FSAAU8 |
| CHN 0991 | | FSAAU10 |
| CHN 1261 | | FSAAU12 |
| CHN 1801, 2071 | | FSAAU14 |
| EBN 150, 200 | | FSAAU4 |
| EBN 250, 300 | | FSAAU5 |
| IBN 1500 | | FSAAU6 |
| IBN 1700 | | FSAAU7 |
| IBN 2000 | | FSAAU8 |
| PBN 0501 | | FSAAU7 |
| PBN 0751 | | FSAAU9 |
| PBN 1001 | | FSAAU10 |
| PBN 1300 | | FSAAU12 |
| PBN 1500, 1700 | | FSAAU8 |
| PBN 2000 | FSAAU10 | |
| Modine | Model HDS30, 45, 60 | FSAAU3 |
| | Model HDS75 | FSAAU4 |
| Nordyne | FG6RA-045 | FSAAU3 |
| | FG6RA-060, 72, 96, 120 | FSAAU4 |
| | FG6RA-144 | FSAAU5 |
| Nortec | GS 100 | FSAAU3 |
| | GS 200 | FSAAU4 |
| | GS 300, 400 | FSAAU5 |
| | GS 500, 600 | FSAAU6 |
| | GH 100 | FSAAU3 |
| | GH 200, 300, 400 | FSAAU4 |
| Noritz | N063S | FSAAU4 |
| | N069M | FSAAU4 |
| | N069M-DV | FSAAU4 |
| | N084M | FSAAU4 |
| | N084M-DV | FSAAU4 |
| | N132M | FSAAU5 |
| Patterson-Kelley | P-K Thermific 500 -1000 | FSAAU10 |
| | P-K Thermific 2000 | FSAAU12 |
| | P-K Modu-Fire 500 -1000 | FSAAU10 |
| | P-K Modu-Fire 2000 | FSAAU12 |
| Paloma | PH-28RIFS | FSAAU4 |
| Quietside | QVM8 Series | FSAAU3 |

| Manufacturer | Model | Part Number |
|-----------------------|-----------------------|------------------|
| A.O. Smith | ProStar | FSAAU4 |
| Bosch | Aquastar 240FX | FSAAU4 |
| Beacon Morris | BRU30 thru 90 | FSAAU4 |
| | BTU30 thru 90 | FSAAU4 |
| | BTU100 thru 250 | FSAAU5 |
| | BTU300 thru 400 | FSAAU6 |
| Buderus | G115/21, 28, 34 ° | FSAAU4 or FSAAU5 |
| | G124X/18, 24 | FSAAU5 |
| | G124X/32 | FSAAU6 |
| | GA124 Series | FSAAU3 |
| | GA244/37, 44, 53 | FSAAU3 |
| | GA244/62 | FSAAU4 |
| | GB142 Series | FSAAU3 |
| Camus Boiler | Micoflame Series I | |
| | MFNW060, 100, 150 | FSAAU3 |
| | MFNW200, 250 | FSAAU4 |
| | MFNW300, 400 | FSAAU5 |
| | MFNW500, 600 | FSAAU6 |
| | Micoflame Series II | |
| | MFNW800, 1000 | FSAAU8 |
| | MFNW1200, 1400 | FSAAU10 |
| | MFNW1600, 1800, 2000 | FSAAU12 |
| | Micoflame Grande 2000 | FSAAU12 |
| | 2005, 3000 | FSAAU14 |
| | DynaFlame 500 | FSAAU6 |
| | 750, 1100 | FSAAU8 |
| | 1500, 1750 | FSAAU10 |
| Dyna Flame 2000, 2500 | FSAAU12 | |
| 3000 | FSAAU14 | |

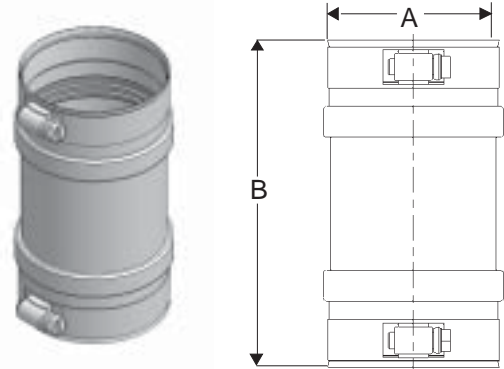
FSAAU (continued)

| Manufacturer | Model | Part Number | |
|-----------------------------|-----------------------------------|-----------------------------|---------|
| Raypak | Hi Delta 122 | FSAAU4 | |
| | Hi Delta 162, 202, 242, 302 | FSAAU5 | |
| | Hi Delta 322, 402, 500, 502 | FSAAU6 | |
| | Hi Delta 652, 752, 902 | FSAAU8 | |
| | Hi Delta 1262, 1532 | FSAAU12 | |
| | Hi Delta 1802, 2002, 2072 | FSAAU14 | |
| | Hi Delta 2342 | FSAAU16 | |
| | ADB-500 | FSAAU6 | |
| | ADB-750 | FSAAU8 | |
| | ADB-1001 | FSAAU10 | |
| | ADB-1501 | FSAAU12 | |
| | Rheem/Ruud | RTG-74 (Pronto 7.4) | FSAAU4 |
| | RBI (std) | Futera II 500 | FSAAU8 |
| | | Futera II 750, 1000 | FSAAU10 |
| | | Futera II 1250, 1500 | FSAAU12 |
| | | Futera II 1750, 1950 | FSAAU14 |
| (thru - wall) Futera II 500 | | FSAAU6 | |
| Futera II 750 | | FSAAU8 | |
| Futera II 1000 | | FSAAU9 | |
| Futera II 1250, 1500 | | FSAAU10 | |
| Futera II 1750, 1950 | | FSAAU12 | |
| RBI (std) | | Futera III 500, 750 | FSAAU6 |
| | Futera III 1000 | FSAAU7 | |
| | Futera III 1250, 1500 | FSAAU8 | |
| | Futera III 1750, 2000 | FSAAU10 | |
| | (thru - wall) Futera III 500, 750 | FSAAU5 | |
| | Futera III 1000, 1250 | FSAAU6 | |
| | Futera III 1500 | FSAAU8 | |
| | Futera III 1750, 2000 | FSAAU10 | |
| | RBI (std) | Dominator 300, 400 | FSAAU6 |
| | | Dominator 504 | FSAAU7 |
| Dominator 630 | | FSAAU8 | |
| Dominator 756, 882 | | FSAAU10 | |
| Dominator 1134 | | FSAAU12 | |
| Dominator 1260, 1638, 1764 | | FSAAU14 | |
| RBI (std) | | LCD Dominator 225, 300, 400 | FSAAU6 |
| | LCD Dominator 600 | FSAAU7 | |
| | LCD Dominator 750 | FSAAU8 | |
| | LCD Dominator 900, 1050 | FSAAU10 | |
| | LCD Dominator 1200, 1480 | FSAAU12 | |
| | LCD Dominator 1650, 1970, 2300 | FSAAU14 | |
| | State Water Heater | | |
| | Aurora GAX194 | FSAAU4 | |
| Takagi | T-H1 | FSAAU4 | |
| | T-K1 | FSAAU4 | |
| | T-K2 | FSAAU4 | |
| | T-K1S | FSAAU4 | |
| | T-K Junior | FSAAU4 | |
| | T-KD20 | FSAAU4 | |
| | T-M1 | FSAAU4 | |
| Utica | USC Series | FSAAU4 | |
| | DV-B Series | FSAAU4 | |
| Wai Wela | PH-28RIFSN/P | FSAAU4 | |
| Viessmann | Vitogas 100 GS10-72 | FSAAU8 | |
| | Vitogas 100 GS10-84 | FSAAU9 | |
| | Vitogas 100 GS10-96 | FSAAU10 | |
| | Vitocrossal CT-3 37, 46, 57 | FSAAU10 | |

FSAA

| A Vent Dia. | B | C | Product Number | Part Number |
|----------------|-----|---|-------------------|----------------|
| 6 | 6.0 | | 300558 | FSAA6 |
| 7 | 6.0 | | 300499 | FSAA7 |
| 10 | 6.0 | | 300562 | FSAA10 |

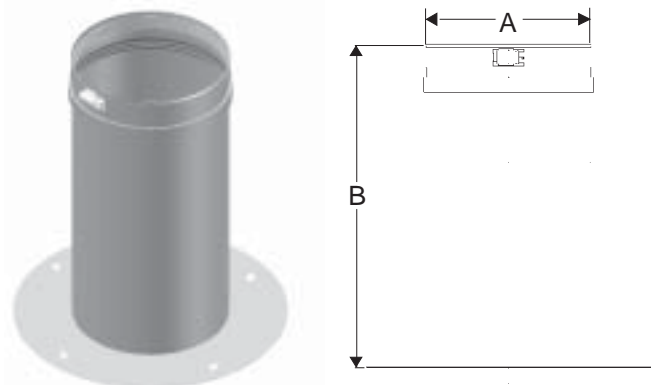
Also Available in Double Wall



| Manufacturer | Model | Part Number |
|--------------|------------------------------------|-------------|
| Laars | Rheos 1200, 1600 ^a | FSAA6 |
| | Rheos 2000 ^a | FSAA7 |
| | Rheos 2400 ^a | FSAA10 |
| | Rheos Plus 1200, 1600 ^a | FSAA6 |
| | Rheos Plus 2000 ^a | FSAA7 |
| | Rheos Plus 2400 ^a | FSAA10 |

FSA-AE

| A Vent Dia. | B | C | Product Number | Part Number |
|----------------|------|---|-------------------|----------------|
| 6 | 11.8 | | 300421 | FSA-AE6 |
| 8 | 11.8 | | 300451 | FSA-AE8 |

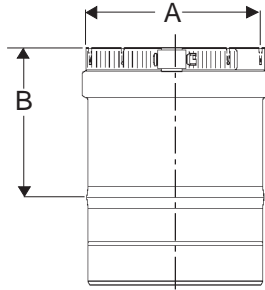


| Manufacturer | Model | Part Number |
|---------------------|-------------|-------------|
| Aerco International | KC1000 | FSA-AE6 |
| | BMK 2.0 GWS | FSA-AE8 |

^a Silicone is required

FSAAM

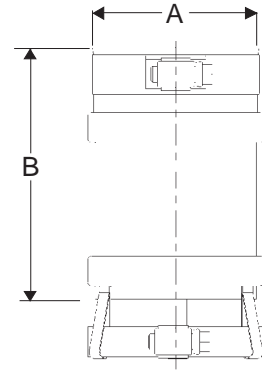
| A | B | C | Product Number | Part Number |
|-----------|-----|---|----------------|-------------|
| Vent Dia. | | | | |
| 4 | 3.0 | | 300851 | FSAAM4 |
| 6 | 3.0 | | 300853 | FSAAM6 |



| Manufacturer | Product | Part Number |
|-------------------|-------------------|-------------|
| 4" FasNSeal® | To Fulton Muffler | FSAAM4 |
| 6" Fulton Muffler | To FasNSeal® | FSAAM6 |

FSA-B

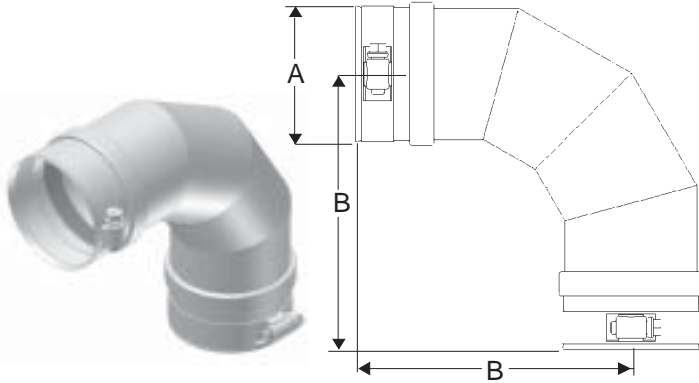
| A | B | C | Product Number | Part Number |
|-----------|-----|---|----------------|-------------|
| Vent Dia. | | | | |
| 3 | 4.8 | | 300342 | FSA-B3 |



| Manufacturer | Model | Part Number |
|--------------|-------------------------------------|-------------|
| Laars | Endurance EDP 110, 175 ^a | FSA-B3 |
| | Endurance EBP 100, 175 ^a | FSA-B3 |

FSA-ELB

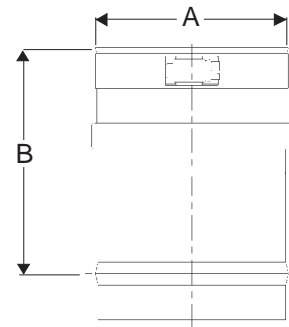
| A | B | C | Product Number | Part Number |
|-----------|-----|---|----------------|-------------|
| Vent Dia. | | | | |
| 3 | 6.5 | | 300597 | FSA-ELB3 |
| 4 | 6.2 | | 300598 | FSA-ELB4 |



| Manufacturer | Model | Part Number |
|--------------|-------------------------|-------------|
| Hydrotherm | SabreFX-70, 105, 140 | FSA-ELB3 |
| | SabreFX-175, 200 | FSA-ELB4 |
| Smith | Lexington GS110-3, 4, 5 | FSA-ELB3 |
| | Lexington GS110-6, 7 | FSA-ELB4 |

FSA-F

| A | B | C | Product Number | Part Number |
|-----------|-----|---|----------------|-------------|
| Vent Dia. | | | | |
| 4 | 4.9 | | 300388 | FSA-F4 |
| 6 | 4.9 | | 300563 | FSA-F6 |



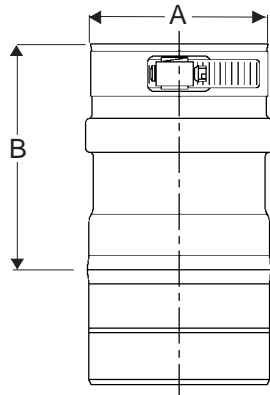
| Manufacturer | Model | Part Number |
|--------------|------------------------------------|-------------|
| Fulton | PulsePak PHW 750, 950 ^c | FSA-F4 |
| | PulsePak PHW 1400 ^c | FSA-F4 |
| | PulsePak PHW 2000 ^c | FSA-F6 |

^a Silicone is required

^c Additional muffler adapter required (see page 3)

FSA-GF

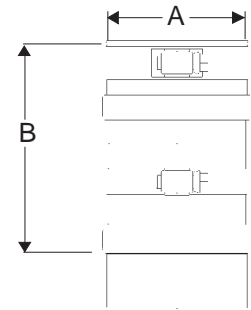
| A | B | C | Product Number | Part Number |
|----------------|---|---|----------------|-------------|
| Vent Dia. 3 | 4 | | 300640 | FSA-GF3 |



| Manufacturer | Model | Part Number |
|--------------|-----------|-------------|
| Vapac | GF Series | FSA-GF3 |

FSA-HFA

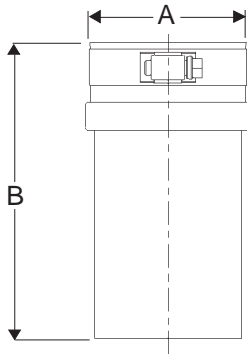
| A | B | C | Product Number | Part Number |
|----------------|-----|---|----------------|-------------|
| Vent Dia. 3 | 4.5 | | 300357 | FSA-HFA3 |
| 4 | 4.5 | | 300422 | FSA-HFA4 |
| 5 | 4.5 | | 300511 | FSA-HFA5 |
| 6 | 4.5 | | 300460 | FSA-HFA6 |
| 7 | 4.5 | | 300474 | FSA-HFA7 |
| 8 | 4.5 | | 300641 | FSA-HFA8 |
| 9 | 4.5 | | 300643 | FSA-HFA9 |
| 10 | 4.5 | | 300348 | FSA-HFA10 |



| Manufacturer | Model | Part Number |
|----------------------------------|---|---------------------------|
| A.O. Smith | Genesis GW-200 ^a | FSA-HFA4 |
| | Genesis GW-300 ^a | FSA-HFA5 |
| | Genesis GW-400, 500 ^a | FSA-HFA6 |
| | Legend 2000 LW 500, 750 ^a | FSA-HFA6 |
| | Legend 2000 LW 1000 ^a | FSA-HFA7 |
| Hydrotherm | KN-10 600 ^a | FSA-HFA4 |
| | KN-10 1000 ^a | FSA-HFA6 |
| | KN-10 2000 ^a | FSA-HFA8 |
| | KN-20 | FSA-HFA9 |
| PVI | Power VT 11 WB 125A-PV ^a | FSA-HFA4 |
| | Power VT 16 WB 125A-PV ^a | FSA-HFA4 |
| | Power VT 21 WB 250A-PV ^a | FSA-HFA4 |
| | Power VT 28 WB 250A-PV ^a | FSA-HFA4 |
| Slantfin | Caravan Series ^a | FSA-HFA3 |
| | Concept 21 CB 45, 90, 135, 180 ^a | FSA-HFA3 |
| | Prodigy 21 ^a | FSA-HFA3 |
| | Victory VSPH 60, 90, 120, 150, 180 ^a | FSA-HFA3 |
| | Victory II VHS30, 60, 90 ^a | FSA-HFA3 |
| | Victory II VHS120, 150, 180 ^a | FSA-HFA3 |
| Thermal Solutions | Evolution EVH 250 ^a | FSA-HFA3 |
| | Evolution EVH 500, 700 ^a | FSA-HFA4 |
| | Evol. EVH 1000, 1500, 2000 ^a | FSA-HFA6 |
| | Weben Jarco | Vision V-075 ^a |
| Vision V-100 ^a | | FSA-HFA8 |
| Vision V-150, V-200 ^a | | FSA-HFA10 |

FSA-HFB

| A | B | C | Product Number | Part Number |
|----------------|-----|---|----------------|-------------|
| Vent Dia. 3 | 6.0 | | 300567 | FSA-HFB3 |



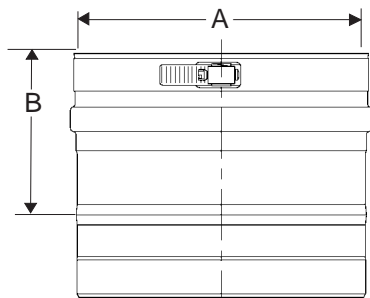
| Manufacturer | Model | Part Number |
|--------------|---|-------------|
| Burnham | Independance PV ^f | FSA-HFB3 |
| | Minute Man II ^f | FSA-HFB3 |
| | Revolution ^f | FSA-HFB3 |
| | Series 2PV ^f | FSA-HFB3 |
| | Spirit ^f | FSA-HFB3 |
| New Yorker | PVCG Series 30, 40, 50, 60 ^f | FSA-HFB3 |

^a Silicone is required

^f Can also be vented with FSAVL3 (see page 11)

FSA-JMI

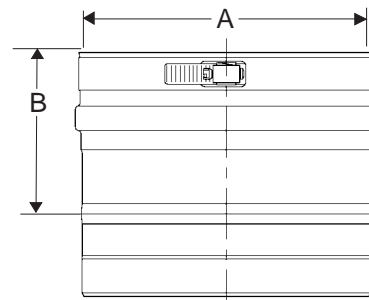
| A Vent Dia. | B | C | Product Number | Part Number |
|----------------|---|---|-------------------|----------------|
| 7 | 4 | | 300979 | FSA-JMI7 |



| Manufacturer | Product | Part Number |
|-----------------|------------------|-------------|
| 7" FasNSeal® To | Jeremias Muffler | FSA-JMI7 |

FSA-JMO

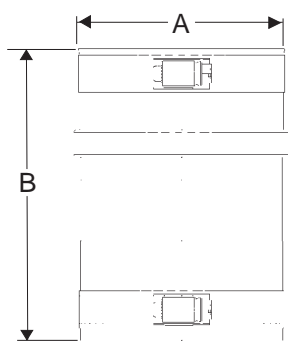
| A Vent Dia. | B | C | Product Number | Part Number |
|----------------|---|---|-------------------|----------------|
| 7 | 4 | | 300980 | FSA-JMO7 |



| Manufacturer | Product | Part Number |
|---------------------|--------------|-------------|
| Jeremias Muffler To | 7" FasNSeal® | FSA-JMO7 |

FSA-LMGD

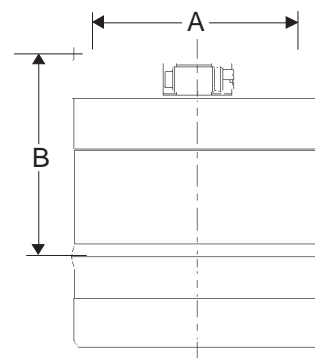
| A Vent Dia. | B | C | Product Number | Part Number |
|----------------|-----|---|-------------------|----------------|
| 4 | 6.0 | | 300423 | FSA-LMGD4 |



| Manufacturer | Model | Part Number |
|-----------------|------------------------------|-------------|
| Bosch | Aquastar 125 FX ^a | FSA-LMGD4 |
| Thermo Dynamics | LMGD ^a | FSA-LMGD4 |
| Laars | Mini Therm JVi ^a | FSA-LMGD4 |

FSA-LMGDTERM

| A Vent Dia. | B | C | Product Number | Part Number |
|----------------|-----|---|-------------------|----------------|
| 4 | 4.0 | | 300424 | FSA-LMGDTERM4 |

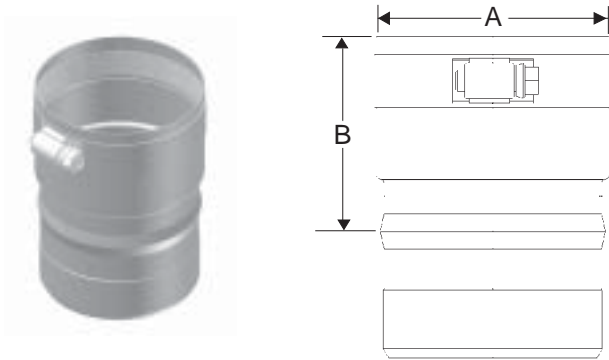


| Manufacturer | Model | Part Number |
|-----------------|-------------------|---------------|
| Thermo-Dynamics | LMGD ^a | FSA-LMGDTERM4 |

^a Silicone is required

FSA-M

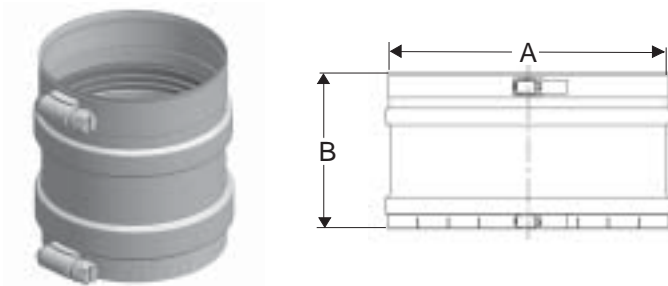
| A Vent Dia. | B | C | Product Number | Part Number |
|----------------|-----|---|-------------------|----------------|
| 3 | 2.5 | | 300444 | FSA-M3 |
| 4 | 2.5 | | 300463 | FSA-M4 |



| Manufacturer | Model | Part Number |
|--------------|------------------------------------|-------------|
| Crown | Bali BWF-061 thru 162 ^a | FSA-M3 |
| | Cabo CSC-050 thru 150 ^a | FSA-M3 |
| | Bimini BWC150 ^a | FSA-M3 |
| | Bimini BWC225 ^a | FSA-M4 |
| Dunkirk | XEB-2 thru XEB-5 ^a | FSA-M3 |
| Modine | HDS 30, 45, 60 ^a | FSA-M3 |
| | HDS 75 ^a | FSA-M4 |
| | PDP ^a | FSA-M3 |
| | BDP ^a | FSA-M3 |

FSA-MCF

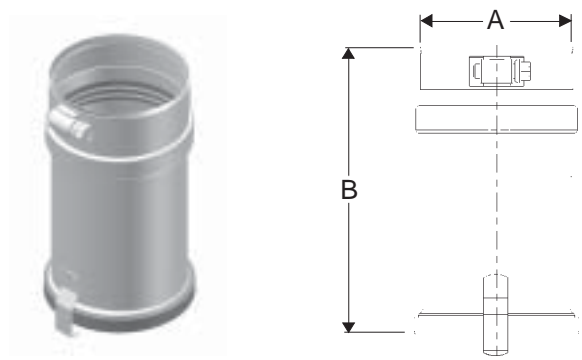
| A Vent Dia. | B | C | Product Number | Part Number |
|----------------|---|---|-------------------|----------------|
| 6 | 6 | | 301001 | FSA-MCF6 |
| 10 | 6 | | 301005 | FSA-MCF10 |
| 12 | 6 | | 301006 | FSA-MCF12 |



| Manufacturer | Model | Part Number |
|----------------|---------|-------------|
| Cleaver Brooks | MCF750 | FSA-MCF6 |
| | MCF1000 | FSA-MCF10 |
| | MCF1500 | FSA-MCF12 |
| | MCF1800 | FSA-MCF12 |

FSAMETEK

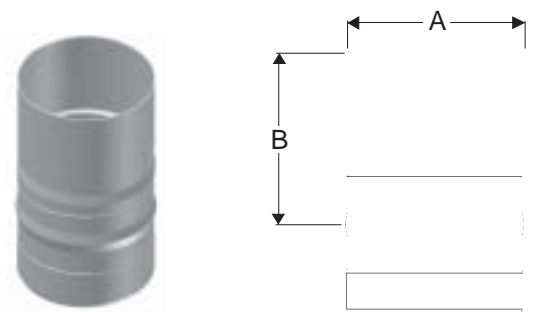
| A Vent Dia. | B | C | Product Number | Part Number |
|----------------|-----|---|-------------------|----------------|
| 3 | 6.0 | | 300359 | FSAMETEK3 |



| Manufacturer | Model | Part Number |
|--------------|---|-------------|
| Dunkirk | XEB-2, 3, 4, 5, 6 ⁹ , 7 ⁹ | FSAMETEK3 |
| Pennco | FSB2, 3, 4, 5, 6, 7 | FSAMETEK3 |

FSA-NSC

| A Vent Dia. | B | C | Product Number | Part Number |
|----------------|-----|---|-------------------|----------------|
| 4 | 4.0 | | 300445 | FSA-NSC4 |



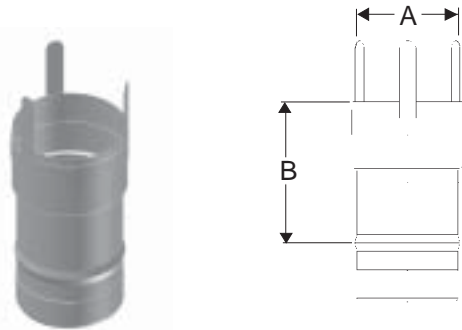
| Manufacturer | Model | Part Number |
|--------------|----------|-------------|
| Noritz | NO69M-DV | FSA-NSC4 |
| | NO84M-DV | FSA-NSC4 |

^a Silicone is required

⁹ For 6 or 7 section boilers use a 3" - 4" increaser (FS34I) after the (FSAMETEK) adapter.

FSA-NYV

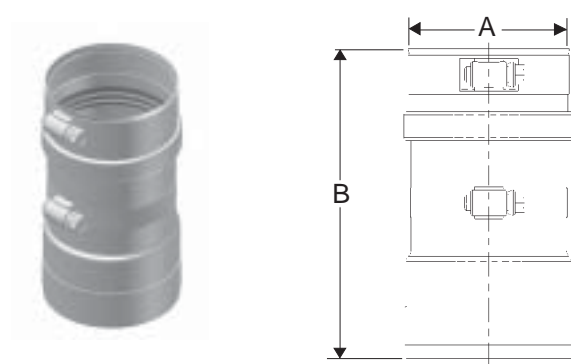
| A Vent Dia. | B | C | Product Number | Part Number |
|----------------|-----|---|-------------------|----------------|
| 3 | 4.0 | | 300345 | FSA-NYV3 |



| Manufacturer | Model | Part Number |
|--------------|--------------------------|-------------|
| Slantfin | Concept 21 ^a | FSA-NYV3 |
| New Yorker | PVCG Series ^a | FSA-NYV3 |

FSA-PDE

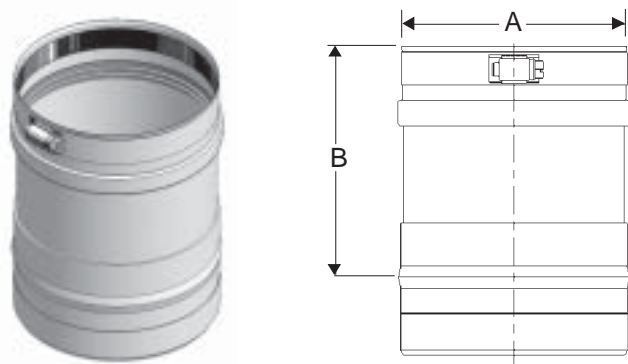
| A Vent Dia. | B | C | Product Number | Part Number |
|----------------|-----|---|-------------------|----------------|
| 3 | 6.0 | | 300406 | FSA-PDE3 |



| Manufacturer | Model | Part Number |
|--------------|-----------------------------|-------------|
| Peerless | PDE-03, 04, 05 ^a | FSA-PDE3 |

FSA-PK

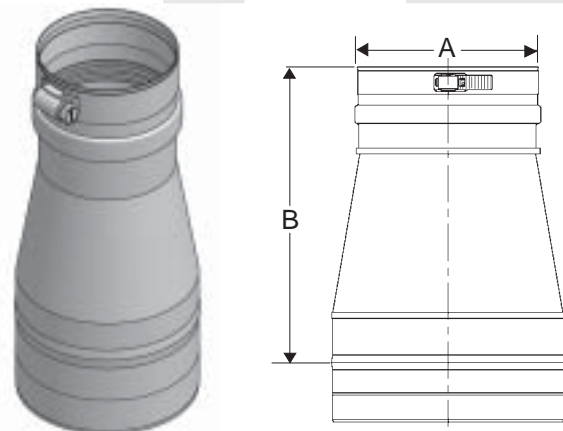
| A Vent Dia. | B | C | Product Number | Part Number |
|----------------|-----|---|-------------------|----------------|
| 4 | 8.8 | | 300509 | FSA-PK4 |
| 5 | 4.8 | | 300510 | FSA-PK5 |
| 8 | 6.0 | | 300462 | FSA-PK8 |



| Manufacturer | Model | Part Number |
|-----------------|-----------------|-------------|
| Patterson Kelly | P-K Mach C-300 | FSA-PK4 |
| | P-K Mach C-450 | FSA-PK5 |
| | P-K Mach C-900 | FSA-PK8 |
| | P-K Mach C-1050 | FSA-PK8 |

FSA-PKT

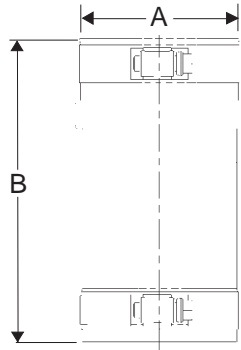
| A Vent Dia. | B | C | Product Number | Part Number |
|----------------|-----|---|-------------------|----------------|
| 6 | 8.0 | | 300461 | FSA-PKT6 |



| Manufacturer | Model | Part Number |
|-----------------|----------------|-------------|
| Patterson Kelly | P-K Mach C-750 | FSA-PKT6 |

FSA-PSC/DE

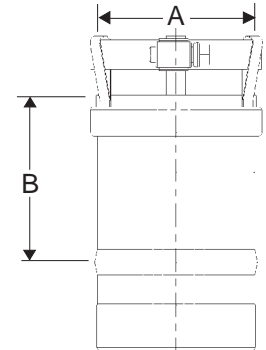
| A | B | C | Product Number | Part Number |
|----------------|-----|---|----------------|-------------|
| Vent Dia. 3 | 6.0 | | 300407 | FSA-PSC/DE3 |



| Manufacturer | Model | Part Number |
|--------------|---------------------------------|-------------|
| Peerless | DE-03, 04, 05, 06 ^a | FSA-PSC/DE3 |
| | PSC-03, 04, 05, 06 ^a | FSA-PSC/DE3 |
| Lochinvar | EBN 100 ^a | FSA-PSC/DE3 |

FSA-PV

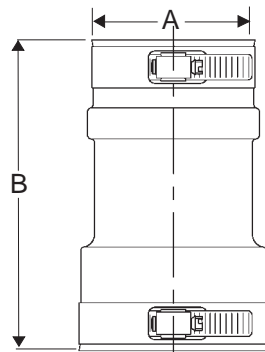
| A | B | C | Product Number | Part Number |
|----------------|-----|---|----------------|-------------|
| Vent Dia. 3 | 3.0 | | 300346 | FSA-PV3 |



| Manufacturer | Model | Part Number |
|--------------|-----------------|-------------|
| Burnham | Independence PV | FSA-PV3 |
| | Minute Man II | FSA-PV3 |
| | Revolution | FSA-PV3 |
| | Series 2PV | FSA-PV3 |
| | Spirit | FSA-PV3 |
| Quietside | QVM8 Series | FSA-PV3 |

FSA-PVC

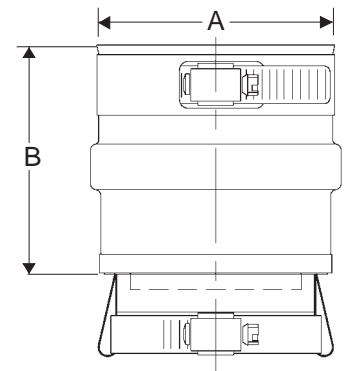
| A | B | C | Product Number | Part Number |
|----------------|-----|---|----------------|-------------|
| Vent Dia. 3 | 5.5 | | 300405 | FSA-PVC3 |



| Manufacturer | Model | Part Number |
|--------------|------------------------|-------------|
| Nordyne | FG6RC-045 ^a | FSA-PVC3 |

FSA-RI

| A | B | C | Product Number | Part Number |
|----------------|-----|---|----------------|-------------|
| Vent Dia. 3 | 3.0 | | 300534 | FSA-RI3 |

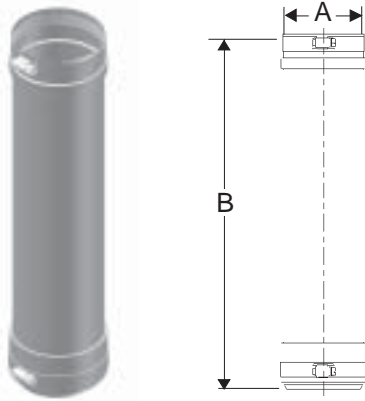


| Manufacturer | Model | Part Number |
|--------------|-----------|-------------|
| Rheem/Ruud | RTG-24PVN | FSA-RI3 |

^a Silicone is required

FSA-SMITH

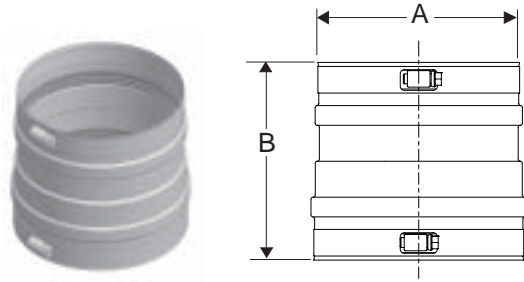
| A | B | C | Product Number | Part Number |
|----------------|------|---|----------------|-------------|
| Vent Dia. 4 | 18.0 | | 300344 | FSA-SMITH4 |



| Manufacturer | Model | Part Number |
|-----------------|---------------|-------------|
| Smith Cast Iron | GV-100 Series | FSA-SMITH4 |

FSA-SB

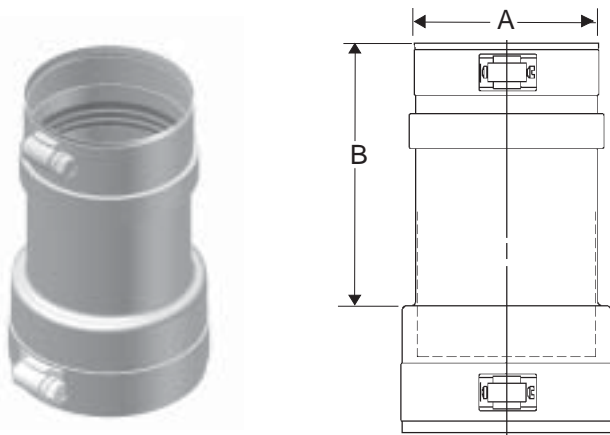
| A | B | C | Product Number | Part Number |
|----------------|-----|---|----------------|-------------|
| Vent Dia. 7 | 6.0 | | 300835 | FSA-SB7 |
| 8 | 6.0 | | 300836 | FSA-SB8 |
| 10 | 6.0 | | 300837 | FSA-SB10 |
| 12 | 6.0 | | 300838 | FSA-SB12 |
| 14 | 6.0 | | 300867 | FSA-SB14 |



| Manufacturer | Model | Part Number |
|--------------|----------------------------|-------------|
| Buderus | SB615-145/185 ^h | FSA-SB7 |
| | SB615-240/310 | FSA-SB8 |
| | SB615-400 | FSA-SB10 |
| | SB615-510/640 | FSA-SB12 |
| | SB735-790/970/1200 | FSA-SB14 |

FSA-TR

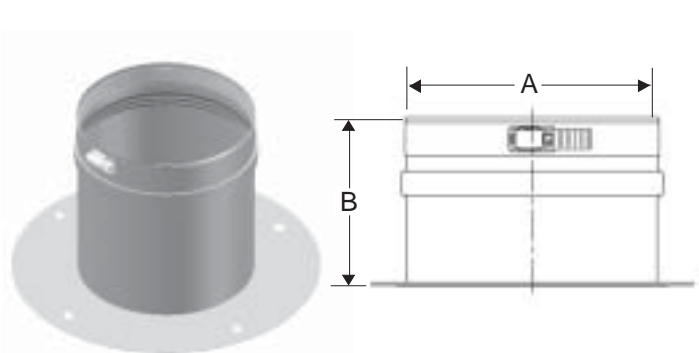
| A | B | C | Product Number | Part Number |
|----------------|-----|---|----------------|-------------|
| Vent Dia. 3 | 4.0 | | 300408 | FSA-TR3 |



| Manufacturer | Model | Part Number |
|---------------|------------------------|-------------|
| Triangle Tube | Delta Performance | FSA-TR3 |
| Triangle Tube | Delta Performance Plus | FSA-TR3 |

FSA-TS

| A | B | C | Product Number | Part Number |
|----------------|-----|---|----------------|-------------|
| Vent Dia. 6 | 4.1 | | 300394 | FSA-TS6 |

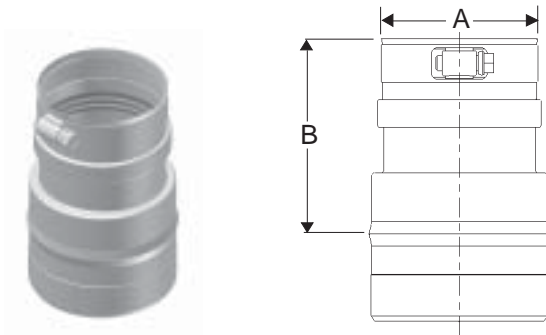


| Manufacturer | Model | Part Number |
|-------------------|--------|-------------|
| Thermal Solutions | Summit | FSA-TS6 |

^h Late models use FSA-HFA6 (see page 7)

FSA-ULT

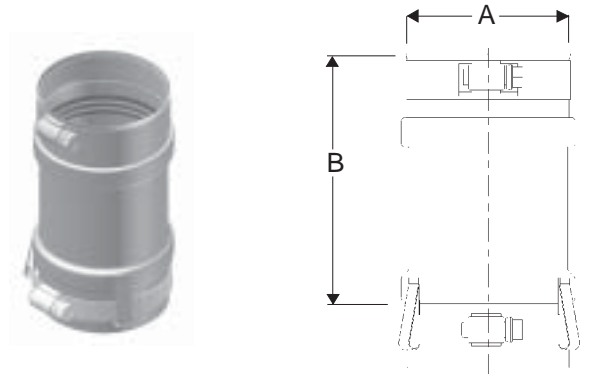
| A Vent Dia. | B | C | Product Number | Part Number |
|----------------|-----|---|-------------------|----------------|
| 3 | 3.6 | | 300566 | FSA-ULT3 |
| 4 | 3.6 | | 300611 | FSA-ULT4 |



| Manufacturer | Model | Part Number |
|--------------|-----------|-------------|
| Weil McLain | Ultra 155 | FSA-ULT3 |
| | Ultra 230 | FSA-ULT4 |

FSA-UTC

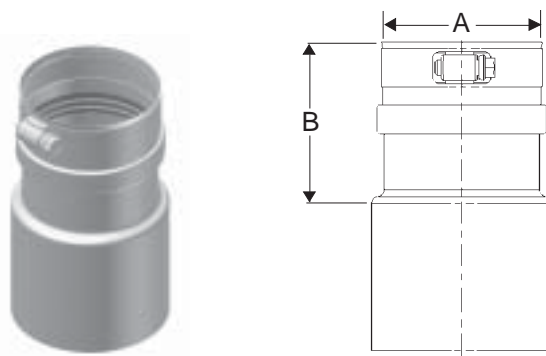
| A Vent Dia. | B | C | Product Number | Part Number |
|----------------|-----|---|-------------------|----------------|
| 4 | 4.5 | | 300411 | FSA-UTC4 |



| Manufacturer | Model | Part Number |
|--------------|------------------|-------------|
| Columbia | LVGD90, 105, 120 | FSA-UTC4 |

FSA-V

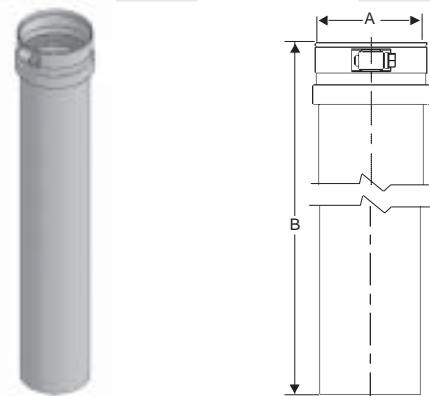
| A Vent Dia. | B | C | Product Number | Part Number |
|----------------|-----|---|-------------------|----------------|
| 3 | 3.0 | | 300568 | FSA-V3 |
| 4 | 3.0 | | 300569 | FSA-V4 |



| Manufacturer | Model | Part Number |
|--------------|--------------------------------|-------------|
| Viessmann | Vitodens WB2 6-24C, 6-24, 8-32 | FSA-V3 |
| | Vitodens WB2-44, 60 | FSA-V4 |

FSAVL

| A Vent Dia. | B | C | Product Number | Part Number |
|----------------|------|---|-------------------|----------------|
| 3 | 18.0 | | 300250 | FSAVL3 |

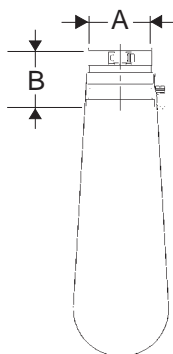


| Manufacturer | Model | Part Number |
|--------------|------------------------------|-------------|
| Burnham | Independence PV ^b | FSAVL3 |
| | Minute Man II | FSAVL3 |
| | Revolution ^b | FSAVL3 |
| | Revolution II ^b | FSAVL3 |
| | Series 2PV ^b | FSAVL3 |
| | Spirit ^b | FSAVL3 |
| New Yorker | PVCG Series ^b | FSAVL3 |

^b Can also be vented with FSA-HFB3 (see page 7)

FSA-WEIL-CGI

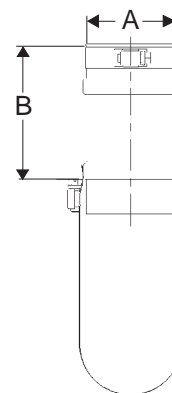
| A Vent Dia. | B | C | Product Number | Part Number |
|----------------|-----|---|-------------------|----------------|
| 3 | 3.0 | | 300349 | FSA-WEIL-CGI3 |



| Manufacturer | Model | Part Number |
|-----------------------|----------------|---------------|
| Weil McLain | CGi | FSA-WEIL-CGI3 |
| | CGs | FSA-WEIL-CGI3 |
| | CGt-3, 4, 5, 6 | FSA-WEIL-CGI3 |
| Williamson Thermoflow | GWI Series | FSA-WEIL-CGI3 |

FSA-WEIL-GV

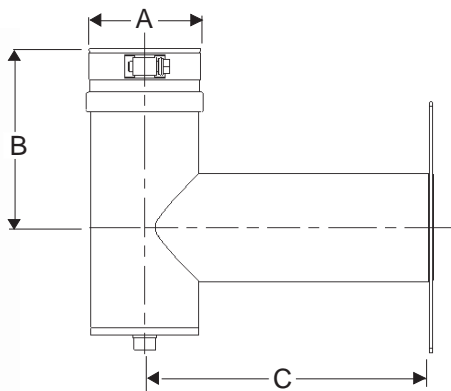
| A Vent Dia. | B | C | Product Number | Part Number |
|----------------|-----|---|-------------------|----------------|
| 3 | 4.5 | | 300355 | FSA-WEIL-GV3 |



| Manufacturer | Model | Part Number |
|--------------|-------|--------------|
| Weil McLain | GV ST | FSA-WEIL-GV3 |

FSA-WEIL-GVTEE3

| A Vent Dia. | B | C | Product Number | Part Number |
|----------------|-----|-----|-------------------|-----------------|
| 3 | 5.0 | 7.3 | 300358 | FSA-WEIL-GVTEE3 |



| Manufacturer | Model | Part Number |
|--------------|------------------|-----------------|
| Weil McLain | GV Gold Series 3 | FSA-WEIL-GVTEE3 |
| | GV Gold Series 4 | FSA-WEIL-GVTEE3 |

For complete catalogs:

FasNSeal® Single Wall Special Gas Vent
ask for catalog 1183

FasNSeal®W2 Double Wall Special Gas Vent
ask for catalog 1189

VENTINOX® Chimney Lining System
ask for catalog 1187

Or visit our website www.protechinfo.com
and click on the literature library

Note: All information contained herein is subject to change without notice.