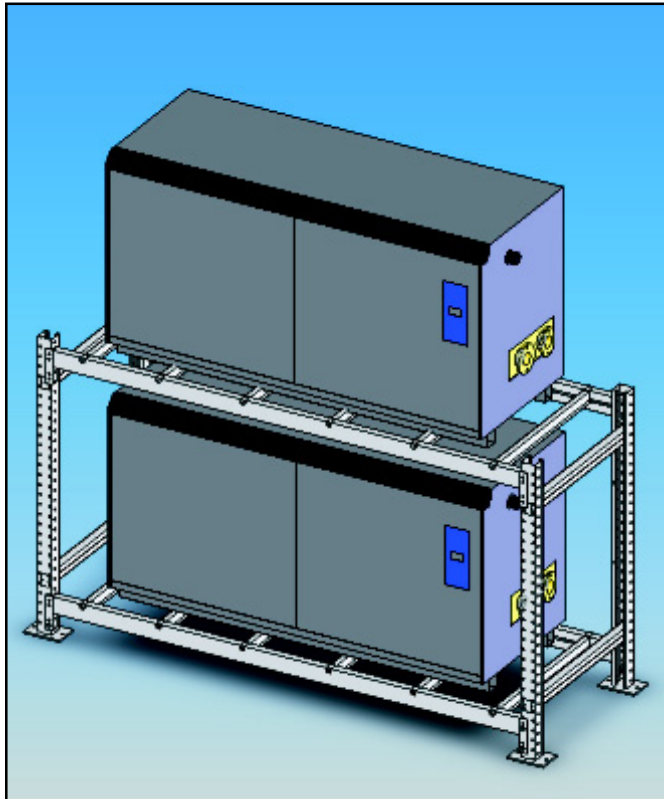


Racks for Pennant and Mighty Max

PENNANT

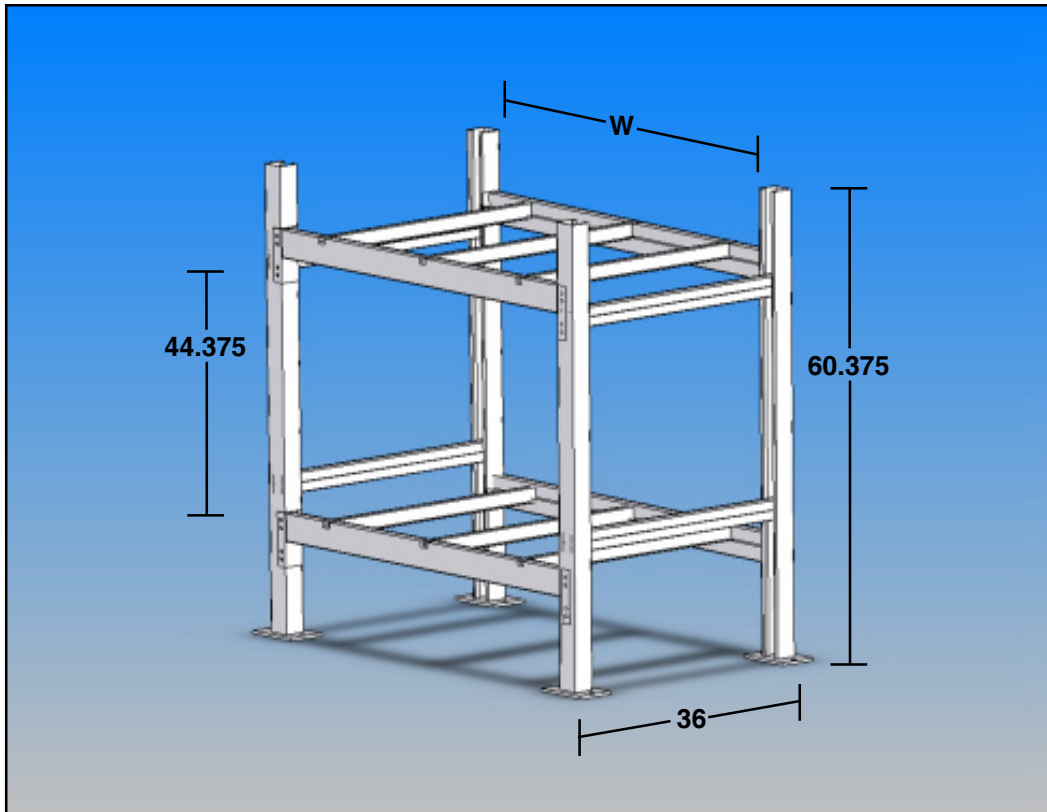
MIGHTY MAX



- Maximize floor space
- Doubles the heating capacity per square foot of floor space
- Easy to assemble
- Works with Pennant and Mighty Max Hydronic Boilers or Volume Water Heaters
- Stack two units in-line without offset
- Accommodates venting and piping configurations
- Construction meets or exceeds California requirements and is Seismic Approved and Certified

Ass'y P/N	Rack Size "W"	Models Used without Pump	Models Used with Pump
CA000700	42	Pennant 500 Mighty Max 320, 400, 520, 625	—
CA000800	54	Pennant 750 Mighty Max 775	Pennant 500 Mighty Max 320, 400, 520
CA000900	66	Pennant 1000 Mighty Max 1000	Pennant 750 Mighty Max 625, 775
CA001000	84	Pennant 1250	Pennant 1000 Mighty Max 1000
CA001100	98	Pennant 1500, 1750	Pennant 1250
CA001200	108	Pennant 2000	Pennant 1500, 1750
CA001300	126	—	Pennant 2000

Note: Models with pumps mounted can be applied and will overhang on sides of rack.



W is inside dimension.

Ass'y P/N	"W" (inside dimension)	Weight lbs.
CA000700	42	183
CA000800	54	195
CA000900	66	214
CA001000	84	230
CA001100	98	265
CA001200	108	275
CA001300	126	289