

Jandy®



Laars LT  
Heaters



*Performance*

*Reliability*

*Technology*



# The Pool And Spa Heater That Is Powerful, Efficient And Automation-Ready

## LT Heaters

The LT is a powerful and efficient pool and spa heater with built-in automation-readiness. The LT is available in two models, the 250 and the 400. Inside the incredibly reliable LT heaters you'll find plenty of features to warm up to:

- Meets all air quality emission standards (Low NOx)
- Fan-assisted controlled combustion for consistent efficiency — up to 83%
- Corrosion resistant polymer headers for long term reliability
- Adjustable bypass for improved circulation and maximum flow
- Contemporary design to blend into any backyard landscape
- Capable of automating pool-to-spa switching



EZ Wireless Remote Control

With the addition of the EZ Wireless Remote Control Kit, the LT delivers all the enjoyment a pool and spa can provide by eliminating

the drudgery of manually switching from pool to spa use and back. With the EZ Wireless Remote Control Kit, you can enjoy the relaxing comfort of your warm pool and the soothing relief of your heated spa without the hassle of turning valves, starting the filter pump (spa mode only), overriding time clocks, and checking cleaner pumps.

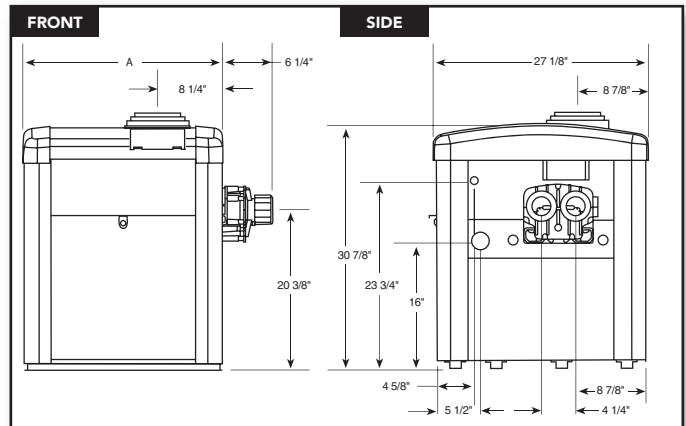


LT Temperature Controls

The LT has a dual electronic thermostat. The LT 250 and 400 models include automation-ready features to provide convenient pool-to-spa switching.

*Please see your Jandy sales rep for more information.*

SPECIFICATIONS						
Model	"A" Width	Height	Depth	VENT	Shipping Weight	Heater Weight
250	28 1/4"	30 7/8"	27 1/8"	7.0"	237 lbs.	170 lbs.
400	34 1/4"	30 7/8"	27 1/8"	9.0"	308 lbs.	236 lbs.



**ALL JANDY PRODUCTS WORK SEAMLESSLY TOGETHER**

The Jandy AquaLink® RS Control System manages our complete line of technologically advanced products.



Pumps • Filters • Heaters • Air Energy Heat Pumps  
Controls • Lights • Water Purification Systems • Valves  
Water Features • Cleaners • Accessories

